

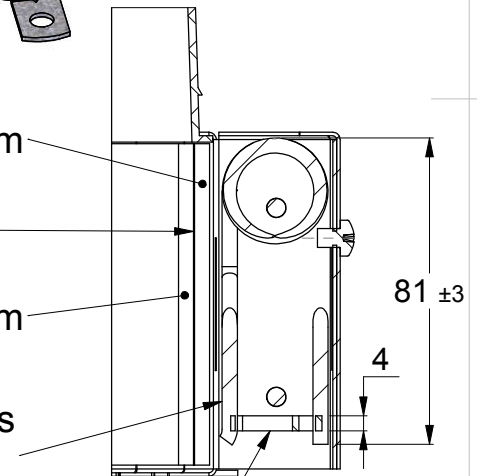
INTUMESH (PAT PENDING)

Intumescent-A
215 x 85 x 4mm Thick ± 0.5 mm

304 S/S Mesh 190 x 84mm
Wire $\phi 0.15$ mm 30 sq in

Intumescent-B
190 x 85 x 4mm Thick ± 0.5 mm

1 x 304 Stainless Steel Springs
Wire $\phi 4.00$ mm



SECTION A-A

Nylon Fuse Link
(Black)



PRODUCT CODE:

GAS50C

DWG NO:
GAS50C-T

DATE:
16/11/2015

A4

UNLESS OTHERWISE SPECIFIED:
DIMENSIONS ARE IN MILLIMETERS
DO NOT SCALE DRAWING