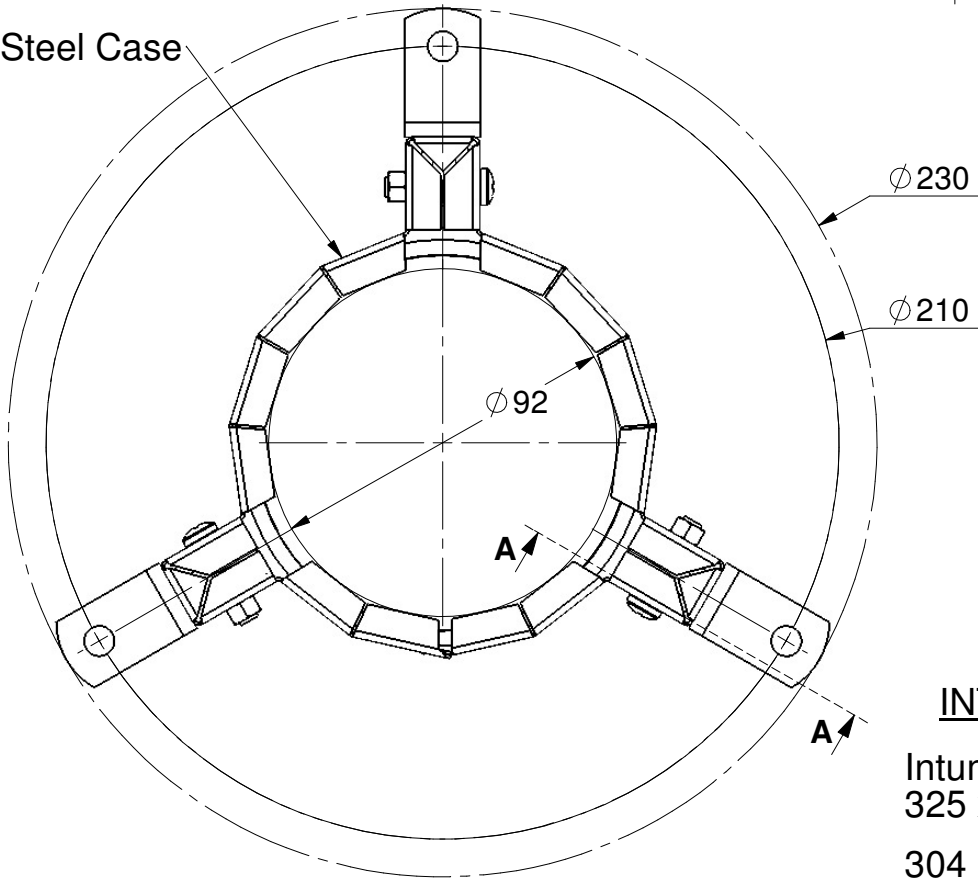


0.75 Steel Case

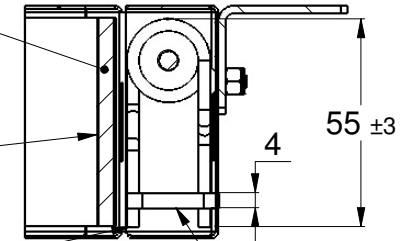


**INTUMESH (PAT PENDING)**

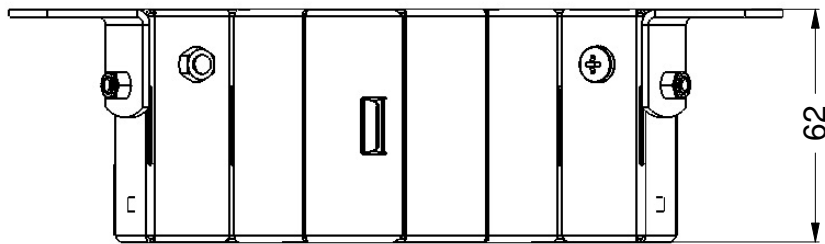
Intumescent  
325 x 55 x 4mm Thick ± 0.5mm

304 S/S Mesh  
300 x 55mm  
Wire Ø 0.15 mm 30 sq in

3 x 304 Stainless Steel  
Springs  
Wire Ø 3.15 mm



**SECTION A-A** Nylon Fuse Link



UNLESS OTHERWISE SPECIFIED:  
DIMENSIONS ARE IN MILLIMETERS  
DO NOT SCALE DRAWING



PRODUCT CODE:

**LP 80 R**

DWG NO:  
LP 80 R-T

DATE:  
4/03/2014

A4