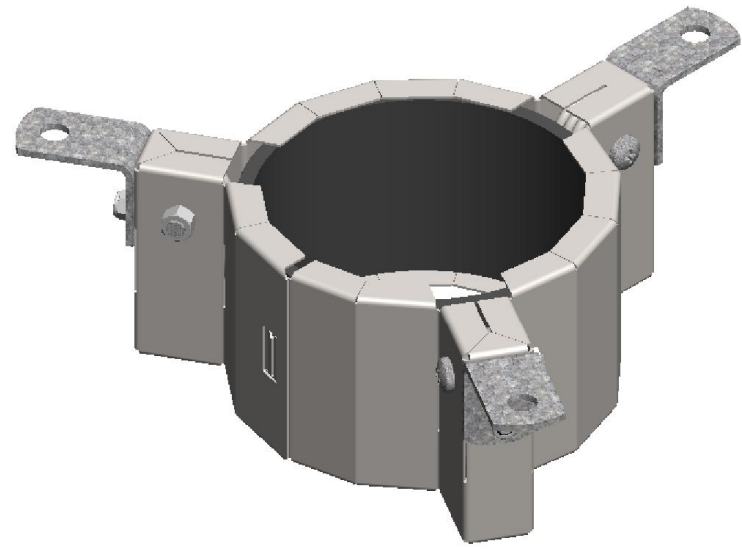
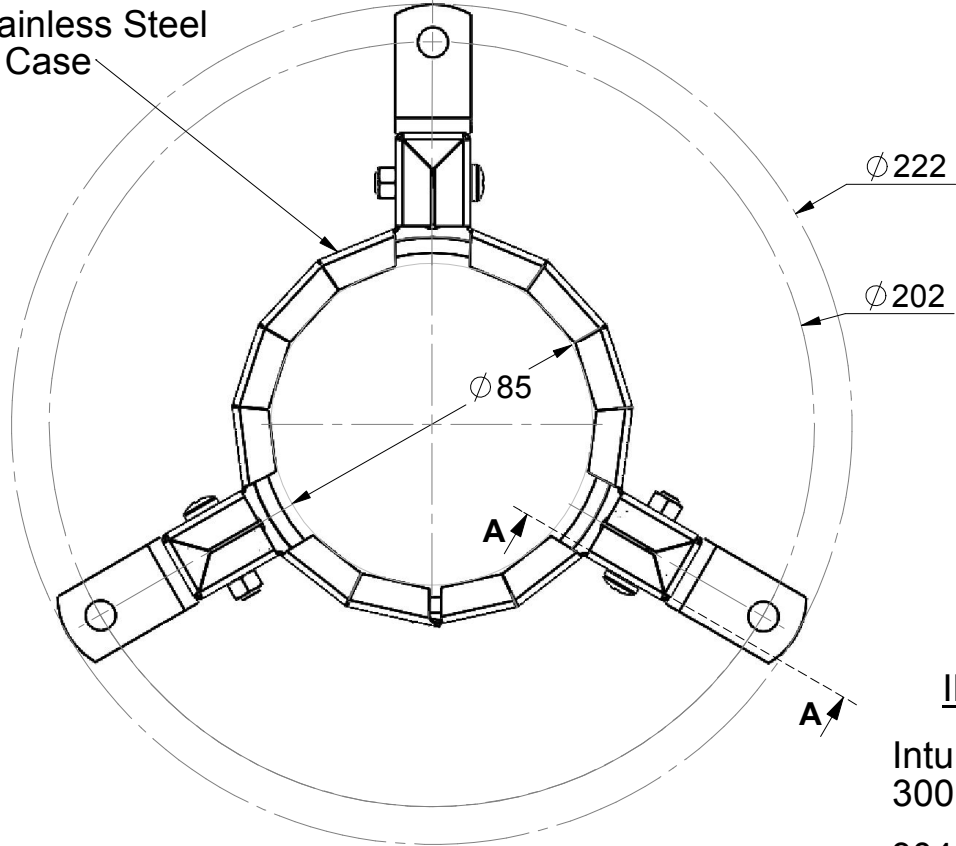
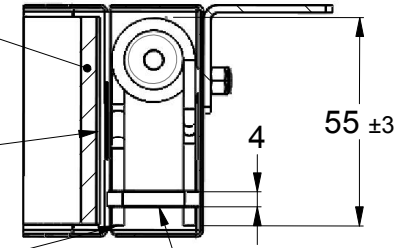


0.70 Stainless Steel Case

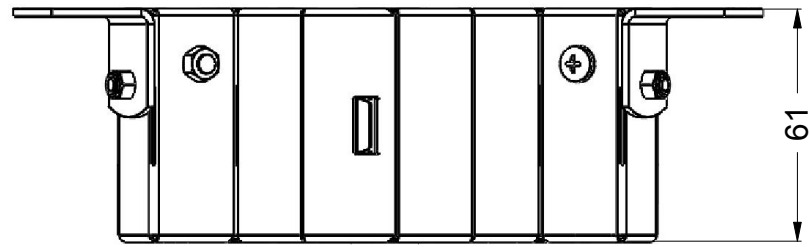


INTUMESH (PAT PENDING)

- Intumescent
300 x 55 x 4mm Thick ± 0.5 mm
- 304 S/S Mesh
300 x 55mm
- Wire $\phi 0.15$ mm 30 sq in
- 3 x 304 Stainless Steel Springs
Wire $\phi 3.15$ mm



SECTION A-A Nylon Fuse Link



UNLESS OTHERWISE SPECIFIED:
DIMENSIONS ARE IN MILLIMETERS
DO NOT SCALE DRAWING



PRODUCT CODE:		LP 65 R	
DWG NO:	LP 65 R-T	DATE:	13/06/2014
			A4