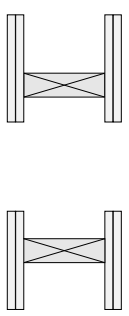
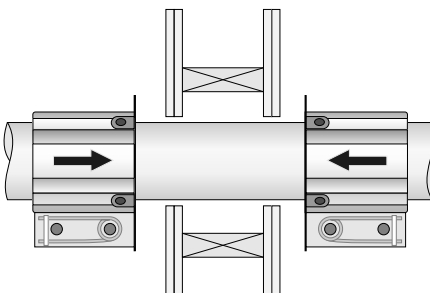
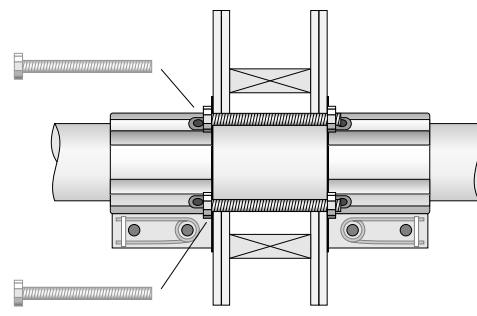
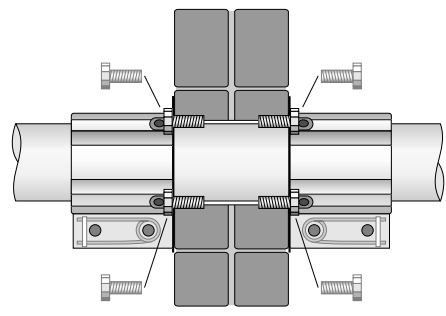
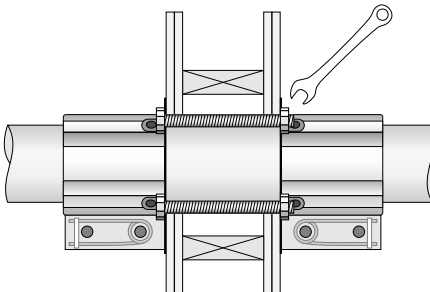


**Product**

**SNAP GAS Collars:**  
**SNAP GAS 32**      **SNAP GAS 63**  
**SNAP GAS 50**

**Situation**

**Retrofit in plaster, masonry, block or concrete wall**

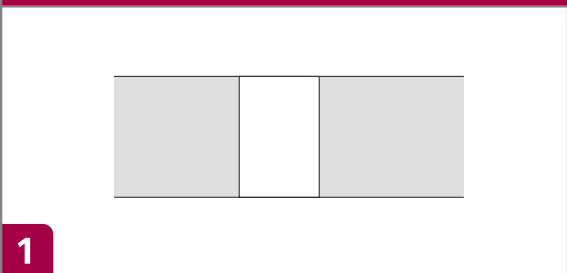
<p><b>1</b></p> 	<ol style="list-style-type: none"> <li>1. Inspect collar to ensure springs, fuse-links and intumescent material have not been damaged during transport.</li> <li>2. Drill or core a hole through the wall.</li> <li>3. During the pipe installation slide the SNAP GAS collar onto the pipe.</li> </ol> <p><b>!</b> <b>IMPORTANT</b> The SNAP GAS collar is installed correctly by orienting the fusible link on the spring away from the floor or wall which is to be protected.</p> <ol style="list-style-type: none"> <li>4. If installing in plasterboard wall: Drill and fix SNAP GAS collar to either side of wall. If installing in masonry, block or concrete wall: Mark and drill mounting holes. Masonry anchors/other approved fixing can be used to secure collar to each side.</li> </ol> <ol style="list-style-type: none"> <li>5. Install pipe. Tighten anchors or nuts if using threaded bar. Do not overtighten nuts.</li> </ol>
<p><b>2</b></p> 	 <p><b>3</b> Plasterboard wall</p>  <p>Masonry, block or concrete wall</p>
<p><b>4</b></p> 	<p><b>Approved fixings:</b></p> <p><b>Plasterboard:</b></p> <ul style="list-style-type: none"> <li>• 6mm Threaded bars</li> <li>• 32 Gas Only: Hollow Wall Anchors</li> </ul> <p><b>Masonry:</b></p> <ul style="list-style-type: none"> <li>• Masonry anchors</li> </ul>

**Product**

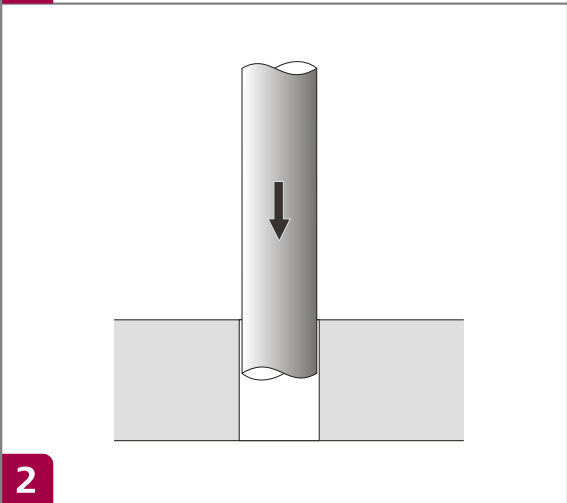
**SNAP GAS Collars:  
SNAP GAS 32      SNAP GAS 63  
SNAP GAS 50**

**Situation**

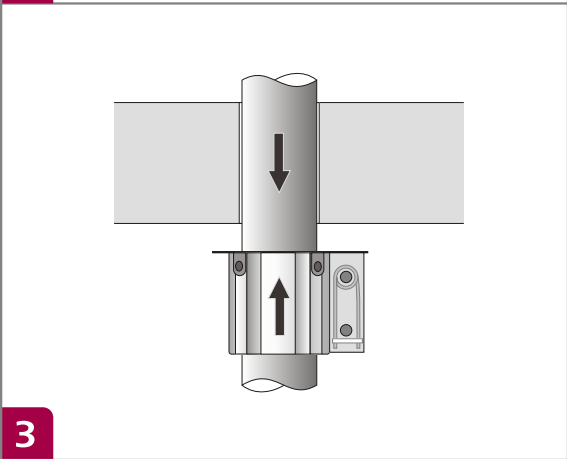
**Retrofit in Concrete slab**



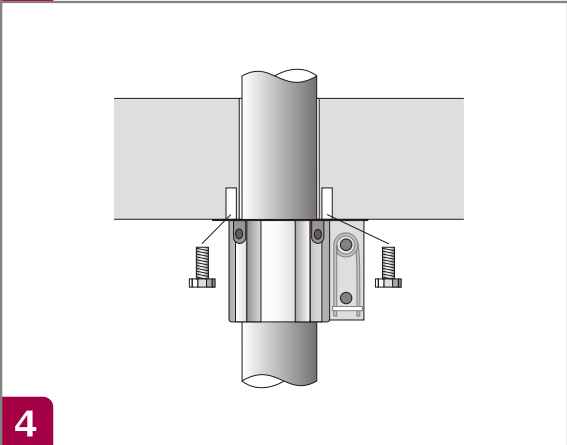
1



2



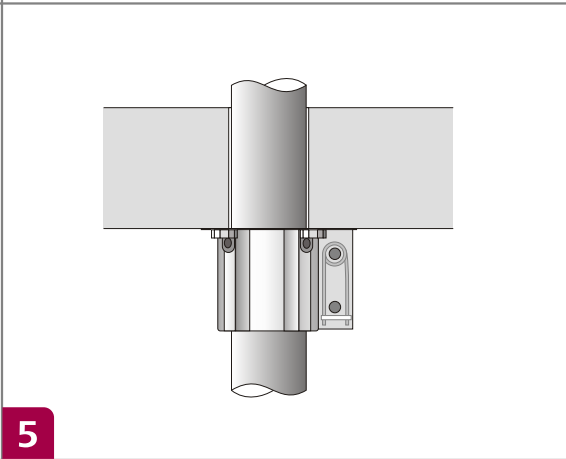
3



4

1. Inspect collar to ensure springs, fuse-links and intumescent material have not been damaged during transport.
  2. Core a hole with an appropriate diameter through the concrete slab.
  3. Install the composite gas pipe through the opening in the slab.
  4. During the pipe installation slide the SNAP GAS collar onto the pipe.
- !** **IMPORTANT** The SNAP GAS collar is installed correctly by orienting the fusible link on the spring away from the floor or wall which is to be protected.
5. Drill and fix the SNAP GAS collar to the underside of the slab using approved fixing.

**Note: Plastic or chemical anchors are NOT to be used.**



- Approved fixings:**
- 6mm Mechanical anchors