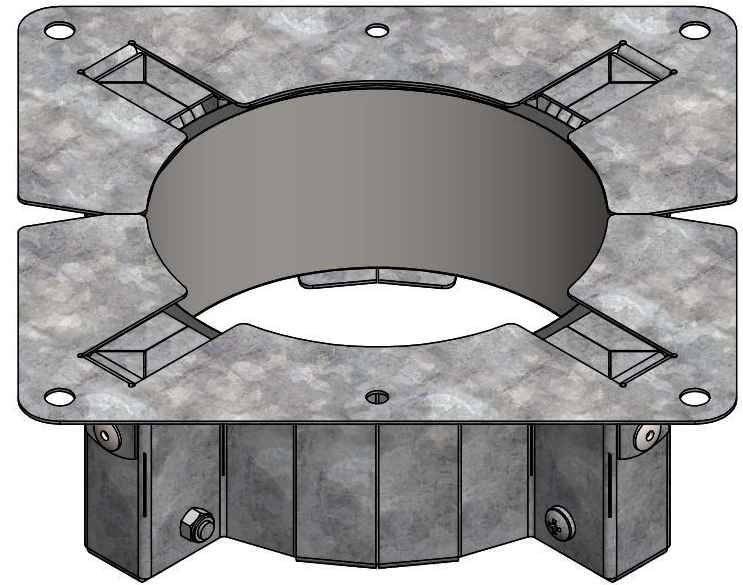
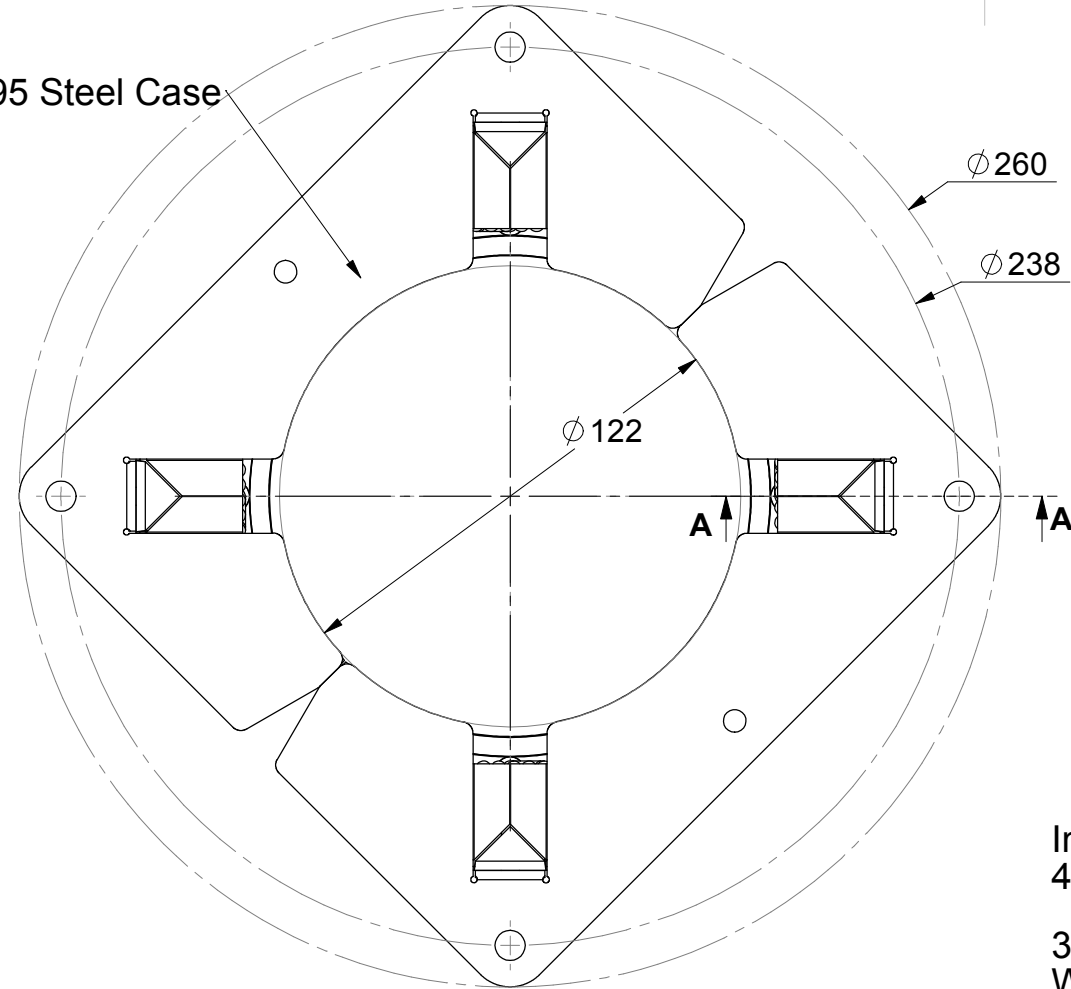


0.95 Steel Case

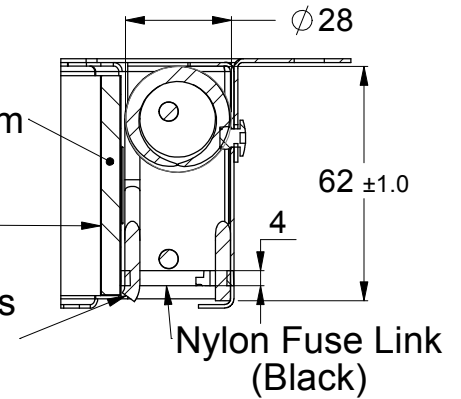


INTUMESH (PAT PENDING)

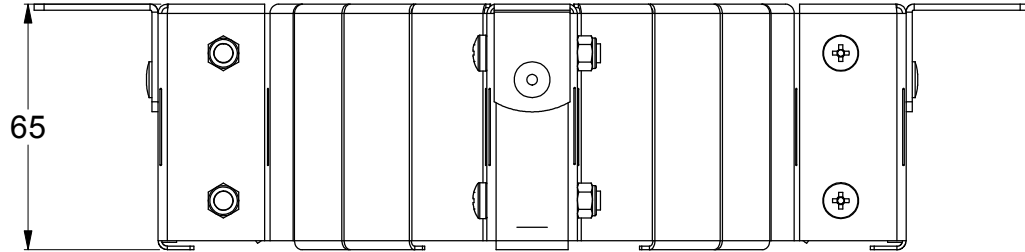
Intumescent
418 x 59 x 5mm Thick ± 0.5 mm

316 S/S Mesh 415 x 120mm
Wire $\phi 0.15$ mm 30 sq in

4 x 304 Stainless Steel Springs
Wire $\phi 4$ mm



SECTION A-A



UNLESS OTHERWISE SPECIFIED:
DIMENSIONS ARE IN MILLIMETERS
DO NOT SCALE DRAWING



PRODUCT CODE:

LP100R-D

DWG NO:
LP100R-D-T

DATE:
10/02/2017

A4