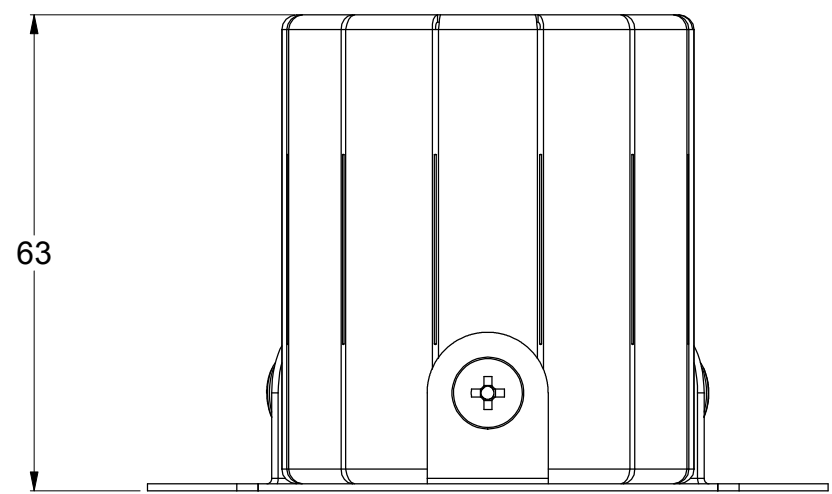
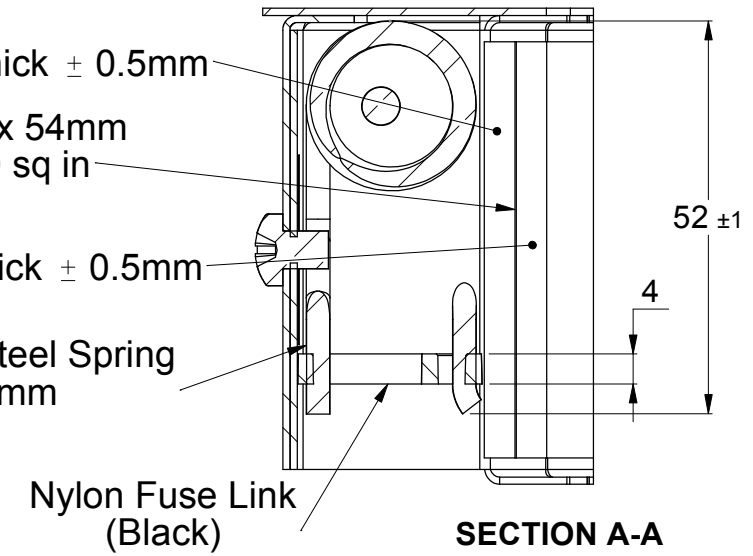


INTUMESH (PAT PENDING)

- Intumescent-A
140 x 55 x 4mm Thick ± 0.5 mm
- 316 S/S Mesh 120 x 54mm
Wire $\phi 0.15$ mm 30 sq in
- Intumescent-B
120 x 55 x 4mm Thick ± 0.5 mm
- 1 x 304 Stainless Steel Spring
Wire $\phi 3.15$ mm



UNLESS OTHERWISE SPECIFIED:
DIMENSIONS ARE IN MILLIMETERS
DO NOT SCALE DRAWING



PRODUCT CODE:	
GAS32	
DWG NO:	DATE:
GAS32-T	14/09/2016
A4	