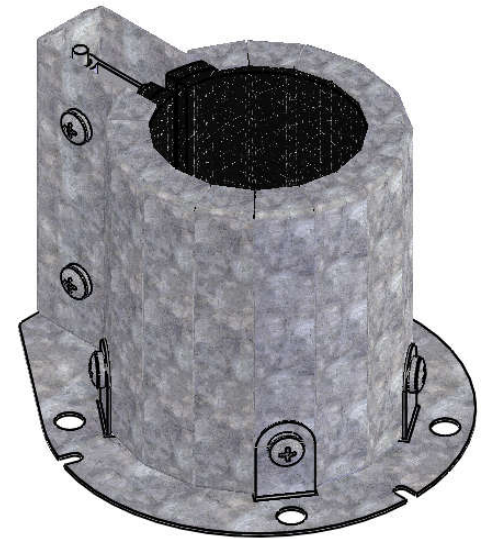
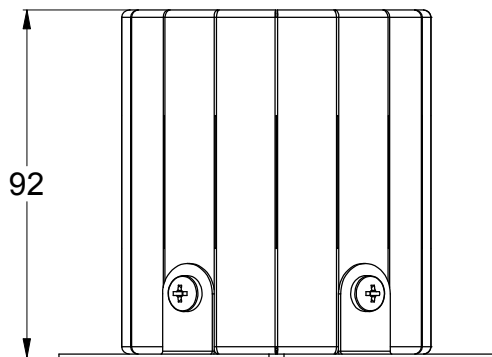
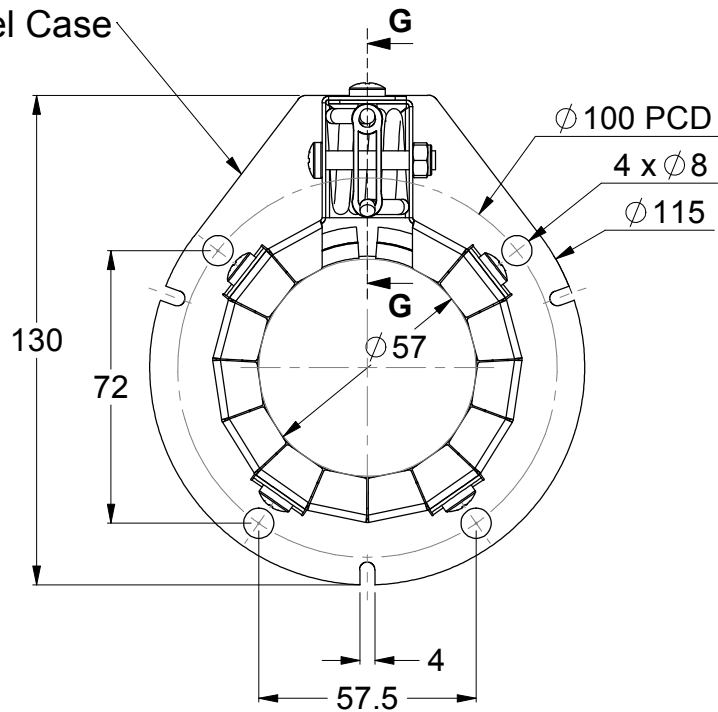


0.95 Steel Case



**INTUMESH (PAT PENDING)**

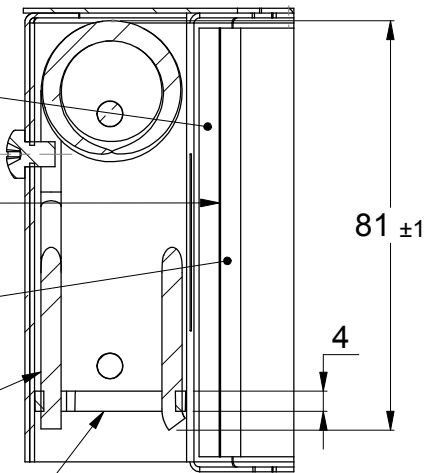
Intumescent-A  
215 x 85 x 4mm Thick  $\pm 0.5$ mm

316 S/S Mesh 190 x 84mm  
Wire  $\phi 0.15$  mm 30 sq in

Intumescent-B  
190 x 85 x 4mm Thick  $\pm 0.5$ mm

1 x 304 Stainless Steel Springs  
Wire  $\phi 4.00$  mm

Nylon Fuse Link  
(Black)



**SECTION G-G**

UNLESS OTHERWISE SPECIFIED:  
DIMENSIONS ARE IN MILLIMETERS  
DO NOT SCALE DRAWING



PRODUCT CODE:

**GAS50**

DWG NO:  
GAS50-T

DATE:  
16/09/2016

A4